

ROTARY TRANSDUCER



WPH SERIES

Key-Features:

- Wear-free Hall-effect sensor element
- Housing diameter 40 mm (WPH-M) or 60 mm (WPH)
- Shaft diameter 6 mm (WPH-M) or 10 mm (WPH)
- Measurement ranges up to 360°
- Linearity up to 0.2 %
- Analog output: 0.5...4.5 V, 0...5 V
- Temperature range: -20...+85 °C
(optional -40...+85 °C or -20...+120 °C)
- Housing: Aluminium anodised, stainless steel

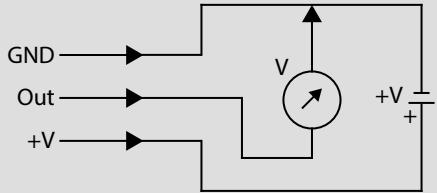
Content

Technical Data	2
Technical Drawing	3
Options	4
Electrical Connection.....	4
Accessories Couplings	4
Order Code.....	5

TECHNICAL DATA

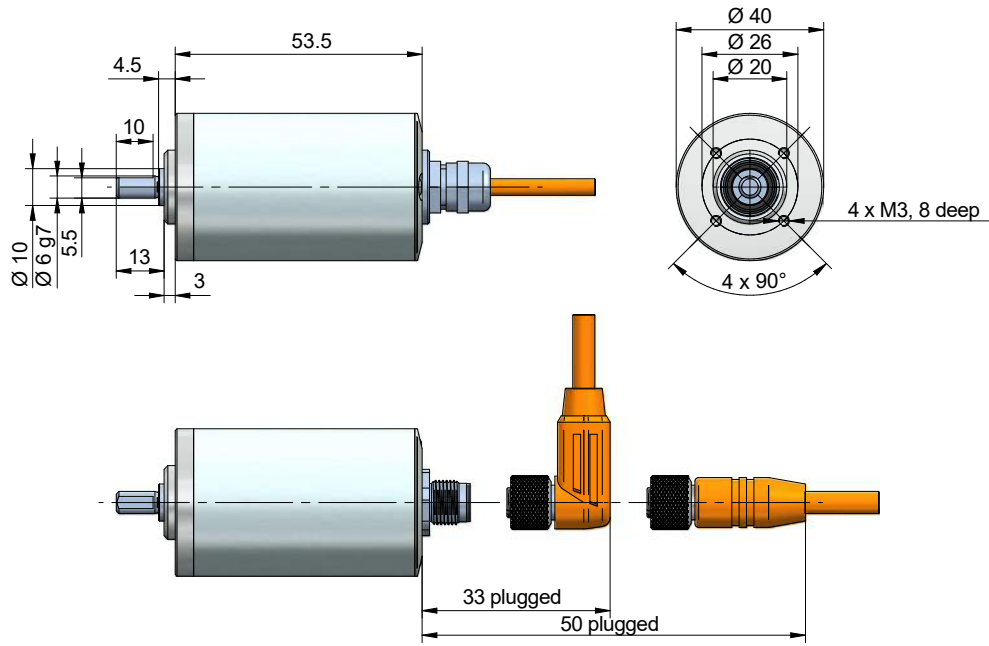
		WPH-M	WPH
Housing diameter	[mm]	40	60
Shaft diameter	[mm]	6	10
Mounting		centering collar Ø 20 mm	clamping flange Ø 36 mm
Measurement range	[°]	0...360 (min. 20)	
Linearity	[%]	0.3	
Improved Linearity (optional)	[%]	0.2	
Sampling rate	[µs]	150	
Continuous rotation possible		yes	
Output signal (ratiometric)		0.5...4.5 V / 0...5 V	
Signal direction (view on shaft)		signal increasing clock wise or counter clock wise	
Rotation speed max.	[r/min]	max. 10,000 (depending on the resolution of the output signal)	
Torque	[Nm]	0.008	
Shaft bearing		2 sealed bearing, type 2RS	
Shaft Load		radial: 40 N axial: 25 N	radial: 50 N axial: 30 N
Protection class		housing: IP67 shaft: IP60 (optional: IP64 or IP67)	
Operating temperature	[°C]	-20...+85 (optional: -40...+85 or -20...+120)	
Storage temperature	[°C]	-30...+85	
Life cycle		100 x 10 ⁶ turns	
Connection		connector output M12 or cable output (TPE)	
Housing material		Aluminium, titanium grey anodised; stainless steel	
Shaft material		stainless steel	
Weight	[g]	approx. 130	approx. 260

ELECTRICAL DATA

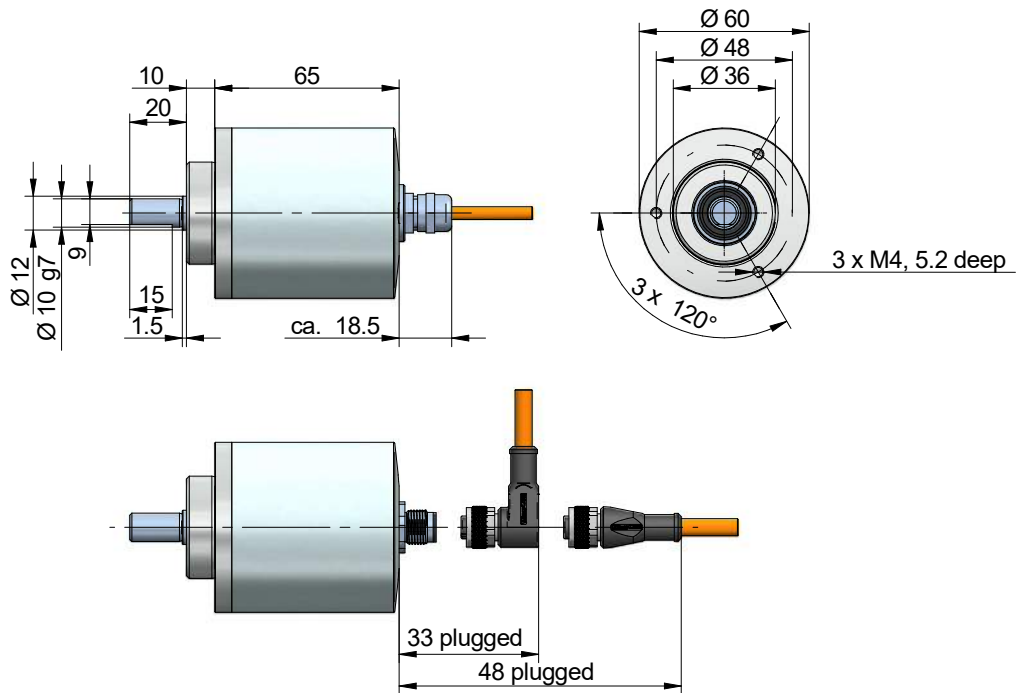
Power supply	5 VDC (4.5...5.5 VDC)
Current consumption max.	8 mA
Resolution	10 bit at 90° / 11 bit between 90° and 180° / 12 bit between 180° and 360°
Noise	dependent on the quality of the power supply
Operating temperature	-20...+85 °C / optional: -40...+85 °C or -20...+120 °C
Temperature coefficient	±0.03 %/K
Circuit	

TECHNICAL DRAWING

Version WPH-M



Version WPH



OPTIONS

The following table gives an overview of frequently used options, with which the standard sensors can be equipped. Please pay attention that not all options can be combined. Information on possible combinations can be found in the order codes.

Option	Order code	Description
Improved linearity	WP-L20	Improved linearity 0.2 %
Protection class IP64	WP-IP64	Please use this option in case the sensor is used in a humid environment.
Protection class IP67	WP-IP67	Please use this option in case the sensor (temporarily) immersed in water.
Corrosion protection HARTCOAT®	WP-CO	All external anodised aluminium parts of sensor are coated with HARTCOAT®. This coating is a hard-anodic oxidation that protects the sensor from corrosion by aggressive media (e. g. sea water) with a hard ceramics-like layer.
Increased temperature range high	WP-H120	Devices with potentiometer output and cable output can be supplied with this option. Temperature range -20...+120 °C.
Increased temperature range low	WP-T40	The use of special components and grease enables the sensor to work at a temperature range -40...+85 °C.

ELECTRICAL CONNECTION

Function	Cable output	Connector output	Connection cable K4P...
+V	BN	Pin 1	BN
Out	WH	Pin 2	WH
GND	BU	Pin 3	BU
n. c.	BK	Pin 4	BK

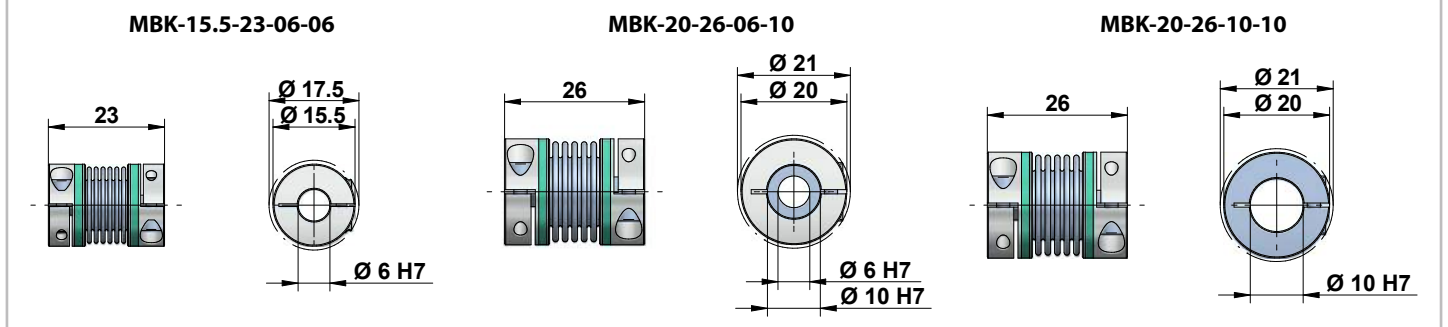
Cable specifications	
Cable type	TPE, flexible
Diameter	Ø4.5 mm
Wire	0.25 mm ²
Temperature	fixed installation: -30...+85 °C, flexible installation: -20...+85 °C

Connector output M12, male

ACCESSORIES COUPLINGS

Metal bellow couplings are used for the backlash-free connection of encoders and drive shafts (e.g. motor shafts). The couplings work wear-free and compensate for axial, radial and angular misalignment. Mounting on the shafts is effected by means of frictional locking using clamping hubs.

The following couplings are available as standard accessories:



ORDER CODE

WPH - [] - [] - [] - [] - [] - []

Housing diameter 40 mm, shaft diameter 6 mm 60 mm, shaft diameter 10 mm	M -
--	--------

Measurement range in degree 0...20, 0...30, 0...45, 0...60, 0...75, 0...90, 0...105, 0...120, 0...135, 0...150, 0...165, 0...180, 0...195, 0...210, 0...225, 0...240, 0...255, 0...270, 0...285, 0...300, 0...315, 0...330, 0...345, 0...360	e. g. 45 for 0...45
---	---------------------------

Output signal Voltage 0.5...4.5 V Voltage 0...5 V	4,5V 5V
--	------------

Counting direction Clockwise Counter clockwise	CW CCW
---	-----------

Connection Connector output M12, axial Cable output, axial, 2 m Cable output, axial, 5 m Cable output, axial, 10 m	SA12 KA02 KA05 KA10
---	------------------------------

- O	Version Standard Sensor with options
--------	---

Option	Description
WP-L20	Improved linearity 0.2 %
WP-IP64	Protection class shaft side IP64
WP-IP67	Protection class shaft side IP67
WP-CO	Corrosion protection
WP-T40	Temperature range -40...+85 °C
WP-H120	Temperature range -20...+120 °C

Option	Not combinable with
WP-IP64	WP-T40, WP-IP67
WP-IP67	WP-H120, WP-IP64
WP-CO	WP-H120
WP-T40	WP-IP64, WP-H120
WP-H120	WP-IP67, WP-CO, WP-T40

ACCESSORIES

Cable with mating connector M12 (female), 4 poles, shielded, IP67

K4P2M-S-M12	2 m, straight connector
K4P5M-S-M12	5 m, straight connector
K4P10M-S-M12	10 m, straight connector
K4P2M-SW-M12	2 m, angular connector
K4P5M-SW-M12	5 m, angular connector
K4P10M-SW-M12	10 m, angular connector

Couplings

MBK-15.5-23-06-06	Metal bellow coupling, 2 x Ø 6 mm
MBK-20-26-06-10	Metal bellow coupling, Ø 6 mm, Ø 10 mm
MBK-20-26-10-10	Metal bellow coupling, 2 x Ø 10 mm

Mating connector M12 (female), 4 poles, shielded, IP67

D4-G-M12-S	straight, M12 for self assembly
D4-W-M12-S	angular, M12 for self assembly

Digital displays for sensors with analog output, 2 channel

WAY-AX-S	touch screen, supply: 18...30 VDC
WAY-AX-AC	touch screen, supply: 115...230 VAC

For more information and options please refer to the [WAY-AX data sheet](#).

Subject to change without prior notice.

WayCon Positionsmesstechnik GmbH

Email: info@waycon.de

Internet: www.waycon.biz

WayCon

Positionsmesstechnik

Headquarters Munich

Mehlbeerenstr. 4

82024 Taufkirchen

Tel. +49 (0)89 67 97 13-0

Fax +49 (0)89 67 97 13-250

Office Cologne

Auf der Pehle 1

50321 Brühl

Tel. +49 (0)2232 56 79 44

Fax +49 (0)2232 56 79 45