

DRAW WIRE SENSOR



SXM30 SERIES

Key-Features:

- Measurement ranges from 150 to 750 mm
- Economy version for ranges 500 and 750 mm
- Output: potentiometer 1 k Ω , 5 k Ω or 10 k Ω
- Linearity up to $\pm 0.1\%$ of full scale
- Protection class up to IP50
- Temperature range: -40...+80 °C
- Compact, perfect for medical application

Content

Technical Data	2
Mechanical Data.....	2
Technical Drawing	3
Options	4
Accessories.....	4
Order Code.....	5

TECHNICAL DATA

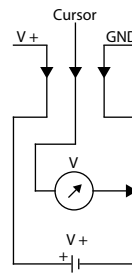
		Economy version		Standard version						
		500	750	150	215	250	375	500	750	
Measurement range MR	[mm]	500	750	150	215	250	375	500	750	
Linearity	[%]	±0.25		±0.2				±0.1 ¹⁾		
Resolution		see output types below								
Sensor element		Wirewound Potentiometer			Hybrid Potentiometer					
Connection		solder terminals								
Protection class		IP40			IP50			IP40		
Temperature		see output types below								
Mechanical data		extraction force, max. velocity and max. acceleration see „Mechanical Data“								
Housing		glass fibre reinforced PA								
Draw wire		stainless steel V4A with synthetic coating Ø 0.36 mm (optional: Coramid)								
Weight	[g]	approx. 50								

¹⁾ Output 5R and 10R: Linearity ±0.15

ELECTRICAL DATA

	Economy version		Standard version	
	1RE	1R	5R	10R
Order code	1RE	1R	5R	10R
Output	1 kΩ	1 kΩ	5 kΩ	10 kΩ
Supply	max. 30 V			
Recommended cursor current	<1 μA			
Resolution	0.03 %	theoretically unlimited, limited by the noise		
Noise	depends on the quality of the power supply			
Operating temperature	-20...+80 °C		-40...+80 °C	
Temperature coefficient	±0.0025 %/K			

Circuit



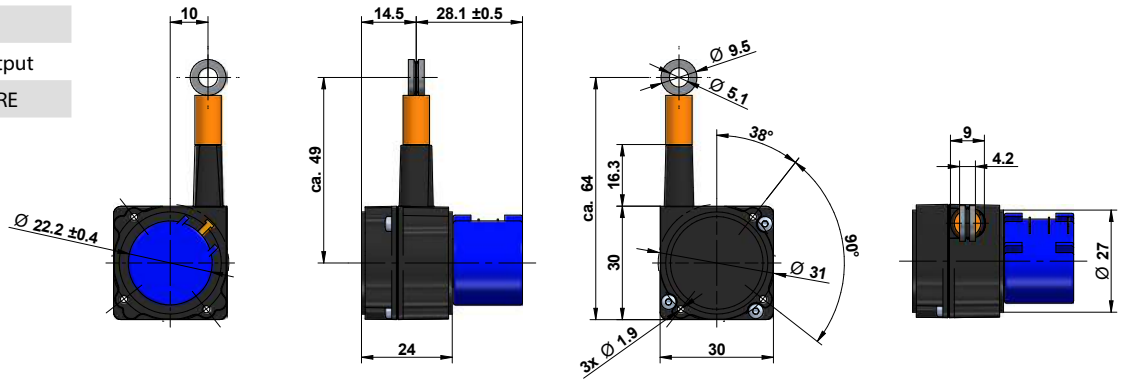
MECHANICAL DATA

Measurement range [mm]	Extraction force		Retraction force		Speed	Acceleration Ø
	F _{min} [N]	F _{max} [N]	F _{min} [N]	F _{max} [N]	V _{max} [m/s]	a _Ø [m/s ²]
150	1.4	2.7	1.3	1.8	3	50
215	1.1	2	0.9	1.5	4	50
250	1.7	2.8	1.3	1.9	4	50
375	1.1	2	0.9	1.3	5	50
500	1.6	3	1.2	2.4	6	50
750	1.1	2.3	0.9	1.4	7	50

TECHNICAL DRAWING

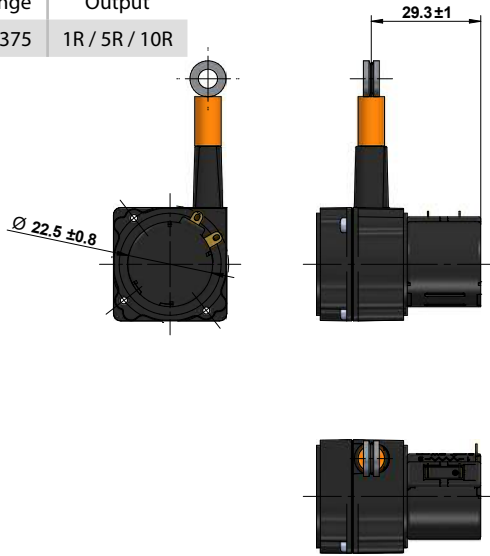
Economy version

Measurement range	Output
500 / 750	1RE



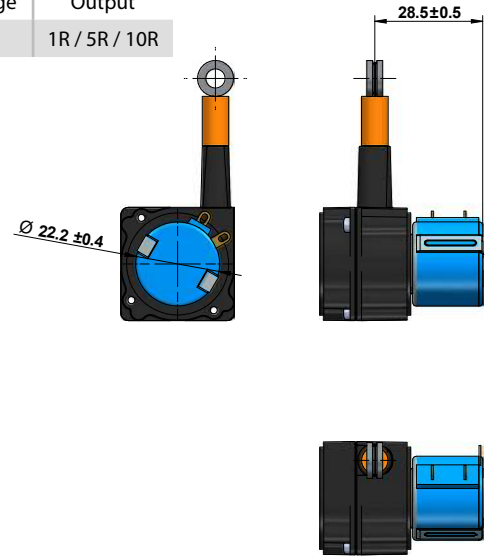
Standard version

Measurement range	Output
150 / 215 / 250 / 375	1R / 5R / 10R

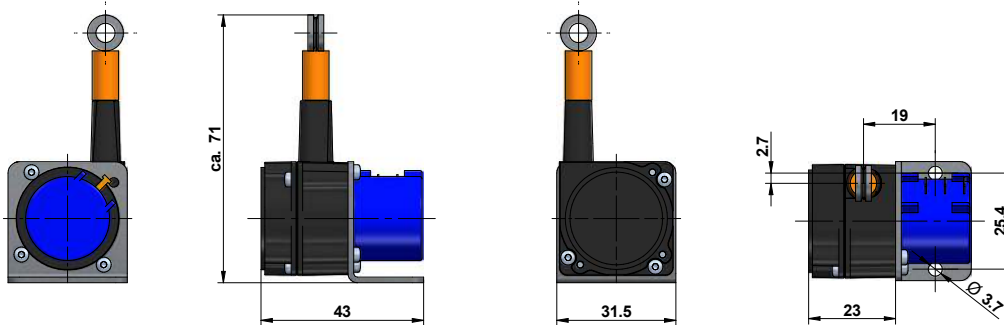


Standard version

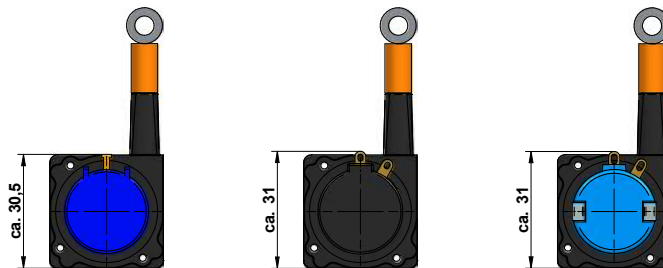
Measurement range	Output
500 / 750	1R / 5R / 10R



Mounting bracket BW-SXM30


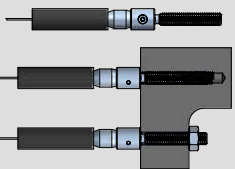
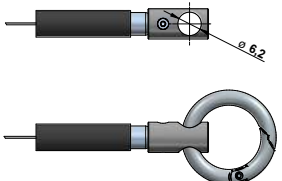


Option changed solder terminal orientation K1



Please note the alignment of the solder terminals when mounting the BW-SXM30 mounting bracket!

OPTIONS

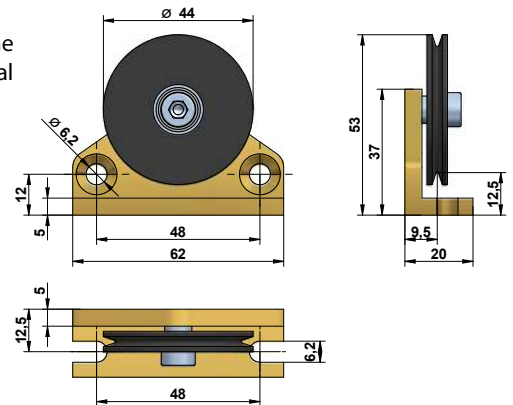
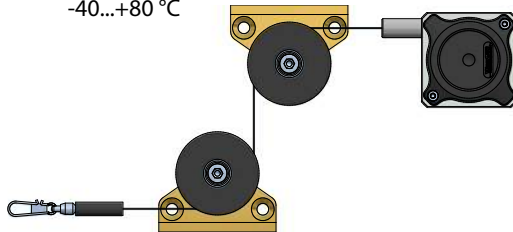
Option	Order code	Description	
Changed solder terminal orientation (Drawing see page 3)	K1	Rope outlet points upwards: Standard: solder terminals point upwards right K1: solder terminals point upwards	
Synthetic wire rope	COR	Synthetic wire rope, made out of abrasion resistant and enhanced Coramid. We recommend COR at stable temperatures due to the coefficient of expansion.	
Rope fixation with clip	DS	Rope clip with drill protection.	
Rope fixation by M4 thread	M4	Optional, pivoted rope fixation with screw thread M4, length 22 mm. Ideal for attachment to through holes or thread holes M4.	
Rope fixation with cylindrical pin and M6 through bore	ZH, ZR	ZH: cylindrical pin with M6 through bore ZR: cylindrical pin with M6 through bore and carbine ring	

ACCESSORIES

Deflection pulley - UR2

The rope must be extracted from the sensor vertically. The maximum variation from the vertical is 3°. A deflection pulley allows a change in the direction of the wire rope. Several pulleys may be used. The rope clip must not be guided over the deflection pulley. Suitable for standard wire rope diameter 0.5 mm.

Material foot: anodised aluminium
 Material rope wheel: POM-C
 Mounting: by 2 hexagon socket or countersunk screws M6, vertical or horizontal mounting possible. Ball bearings: with special low temperature grease and RS-sealing.
 Temperature: -40...+80 °C

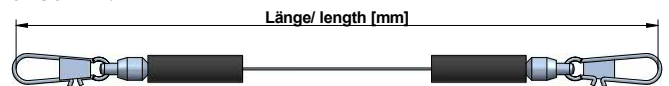


Rope extension - SV

For bridging a greater distance between the measuring target and the sensor a rope extension can be applied. The rope clip must not be guided over the deflection pulley.

Please specify the length needed in your order (XXXX). The minimum length is 150 mm:

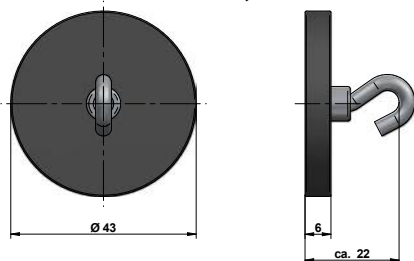
SV1-XXXX: rope extension (150...4995 mm)
 SV2-XXXX: rope extension (5000...19995 mm)
 SV3-XXXX: rope extension (20000...40000 mm)



Magnetic clamp - MGG2

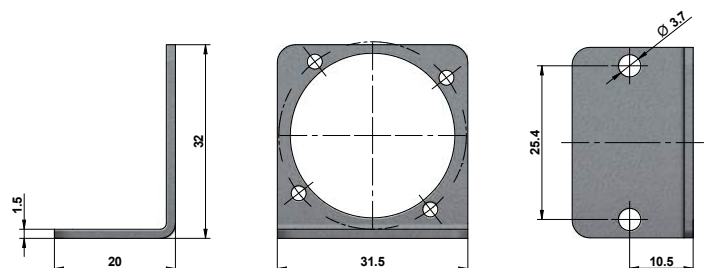
Use the magnetic clamp to quickly attach the rope to metallic objects without any assembly time. A rubber coating provides gentle contact (e. g. on varnished surfaces) and prevents from slipping due to vibration.

The magnet consists of a neodym core for an increased adhesive force of 100 N. The hook makes it easy to attach the rope clip.



Mounting bracket - BW-SXM30

The mounting bracket can be attached to the sensor in 90° steps using 3 screws ($M_A = 0.4 \text{ Nm}$).



ORDER CODE

SXM30 - - - LF -

Measurement range MR [mm] 150 / 215 / 250 / 375 / 500 / 750	<input type="checkbox"/>
---	--------------------------

Output signal economy version Potentiometer 1 kΩ ¹⁾	1RE
Output signal standard version Potentiometer 1 kΩ Potentiometer 5 kΩ Potentiometer 10 kΩ	1R 5R 10R

Version Standard Sensor with options	- O
---	----------------------

Option	Description (see page 4)
K1	Solder terminals point upwards
COR	Synthetic wire rope (Coramid)
DS	Rope clip with drill protection
M4	Rope fixation M4
ZH	Cylindrical pin
ZR	Cylindrical pin with carbine ring

¹⁾ **Economy version:** 500 mm or 750 mm only

Bold text: standard with shorter lead time

ACCESSORIES

UR2	deflection pulley
MGG2	magnetic clamp
BW-SXM30	mounting bracket, holding plate, 2x screw

SV1-XXXX	rope extension (150 mm up to 4995 mm)
SV2-XXXX	rope extension (5000 mm up to 19995 mm)
SV3-XXXX	rope extension (20000 mm up to 40000 mm)

Digital displays for sensors with analog output, 2 channel	
WAY-AX-S	touch screen, supply: 18...30 VDC
WAY-AX-AC	touch screen, supply: 115...230 VAC

Signal conditioner	
PMX-24	Output signals: 4...20 mA, 0...10 V, 0...5 V, ±10 V, ±5 V
For more information and options please refer to the PMX-24 data sheet .	

For more information and options please refer to the [WAY-AX data sheet](#).

Subject to change without prior notice.

WayCon Positionsmesstechnik GmbH

Email: info@waycon.de

Internet: www.waycon.biz

WayCon

Positionsmesstechnik

Headquarters Munich

Siemensstr. 5

85521 Ottobrunn

Tel. +49 (0)89 67 97 13-0

Office Cologne

Auf der Pehle 1

50321 Brühl

Tel. +49 (0)89 67 97 13-100