

DIGITAL LINEAR SCALE



Content:

Technical Data2
Technical Drawings2
Electrical connection3
Order code3

Series DMO

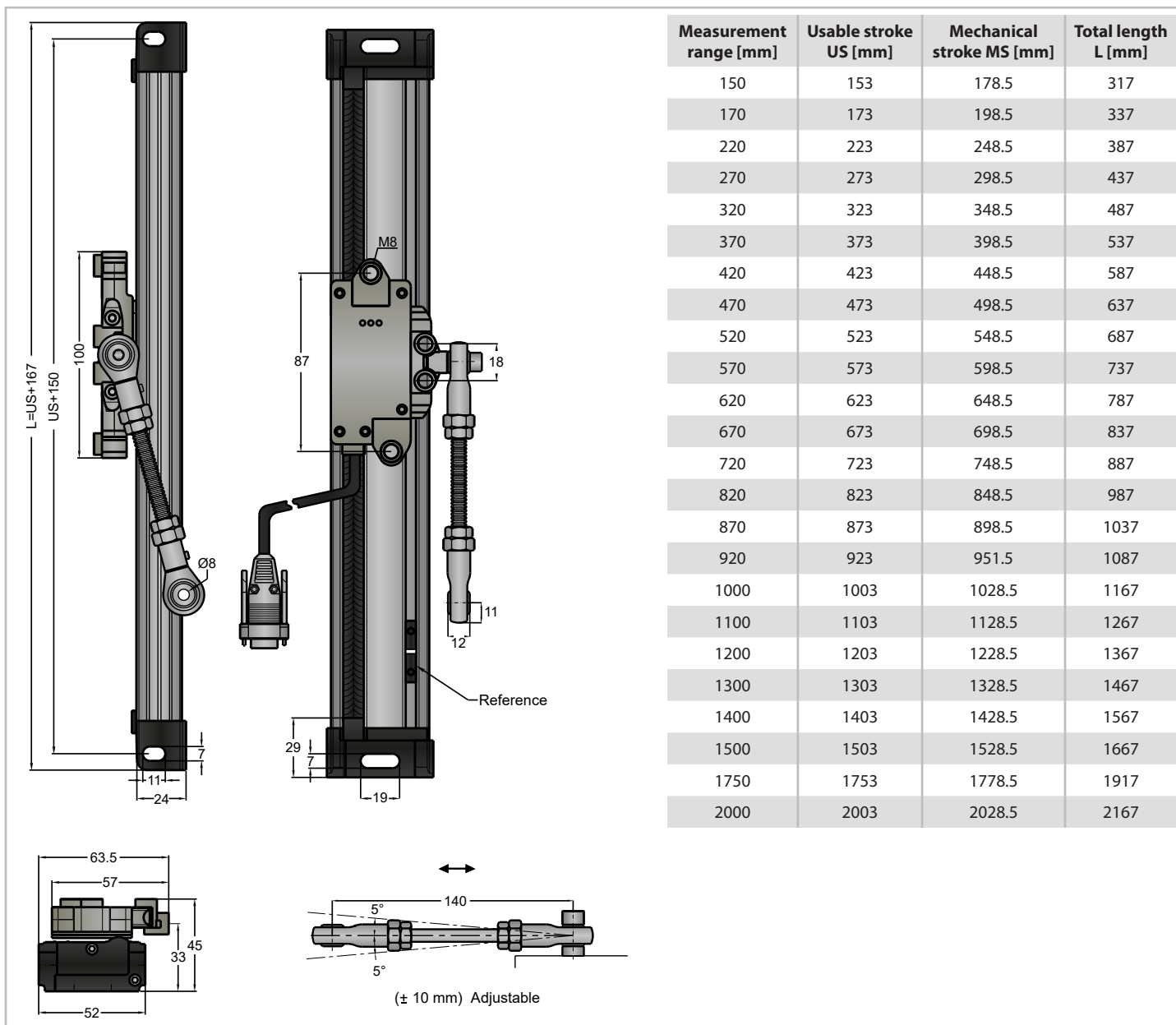
Key-Features:

- Measurement range up to 2000 mm
- Linearity: $\pm 20 \mu\text{m}$
- Repeatability: $\pm 5 \mu\text{m}$
- Resolution up to $10 \mu\text{m}$
- Incremental output: TTL Linedriver, HTL Push-Pull
- Protection class IP65
- Fully symmetrical
- Adjustable reference
- Protective steel cover for measurement tape
- High precision bearings for smooth movement

TECHNICAL DATA

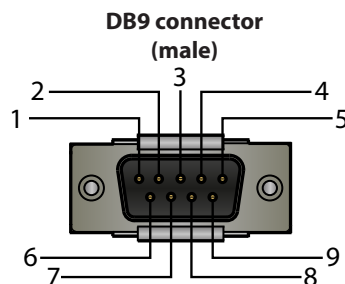
Measurement range	[mm]	150 / 170 / 220 / 270 / 320 / 370 / 420 / 470 / 520 / 570 / 620 / 670 / 720 / 820 / 870 / 920 / 1000 / 1100 / 1200 / 1300 / 1400 / 1500 / 1750 / 2000
Type of measurement		magnetic incremental non-contact
Linearity	[μm]	± 20
Repeatability	[μm]	± 5
Resolution	[μm]	10 / 50 / 100 (the resolution can be raised by the factor 4 using quadruple edge detection)
Displacement speed max.	[m/s]	< 3
Pole pitch	[mm]	5
Output		TTL Linedriver or HTL Push-Pull
Power supply	[VDC]	5 (standard), 8...24 (optional)
Power consumption (without load)	[mA]	< 40 (24 VDC)
Electrical connection		DB9 connector with 1 m cable or cable with open wires
Protection class		IP65
Operating temperature	[$^{\circ}\text{C}$]	-20...+80
Storage temperature	[$^{\circ}\text{C}$]	-30...+90
Housing		anodized aluminium

TECHNICAL DRAWING

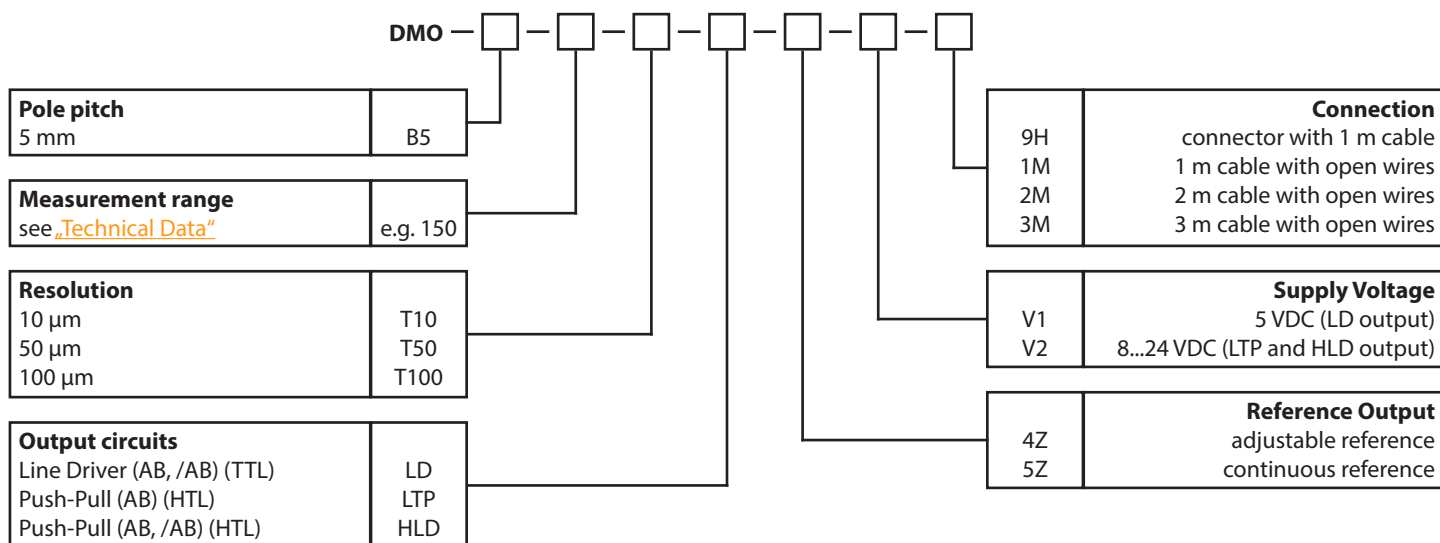


ELECTRICAL CONNECTION

Signals	Cable output	Connector output
+V	BN	PIN 9
0 V	BU	PIN 5
A	BK	PIN 3
B	WH	PIN 2
Z	OG	PIN 1
/A	YE	PIN 8
/B	GN	PIN 7
/Z	RD	PIN 6
Shield	Shield	PIN 4 (n.c.)



ORDER CODE



Subject to change without prior notice.

WayCon Positionsmesstechnik GmbH
email: info@waycon.de
internet: www.waycon.biz

WayCon
Positionsmesstechnik

Head Office
Mehlbeerstr. 4
82024 Taufkirchen
Tel. +49 (0)89 67 97 13-0
Fax +49 (0)89 67 97 13-250

Office Köln
Auf der Pehle 1
50321 Brühl
Tel. +49 (0)2232 56 79 44
Fax +49 (0)2232 56 79 45